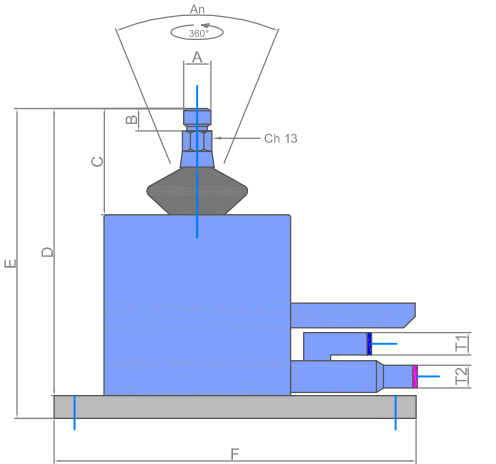


P6S

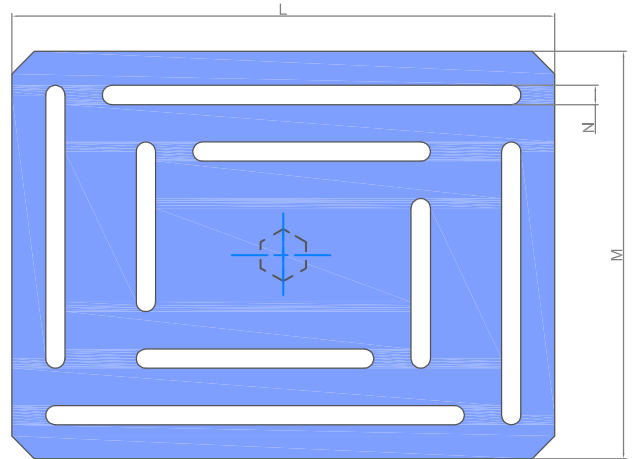
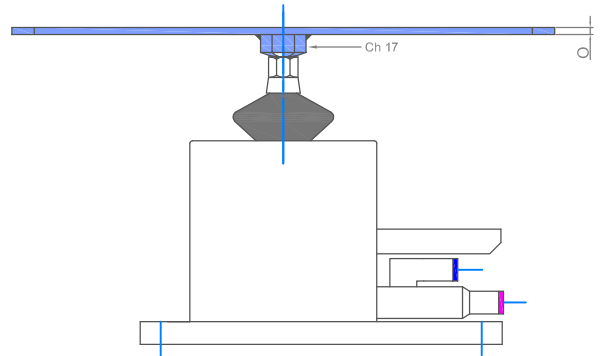


General Dimensions (mm)

| A | B | C | D | E | F | G | H | I | T1 | T2 | An |
|-----|----|----|-----|-----|-----|-----|-----|-----|------|------|-----|
| M12 | 10 | 47 | 125 | 143 | 160 | 142 | 102 | 120 | Tu 6 | Tu 4 | 70° |

Working Pressure : from 4 to 9 bar Max

Working Temperature: -10° +60°C



Standard equipment Platform (mm)

| L | M | N | O |
|-----|-----|-----|---|
| 240 | 180 | 8,5 | 3 |

Material : AISI 304

Recommended maximum weight of the object to be secured on the positioner's platform: 8-10 kg