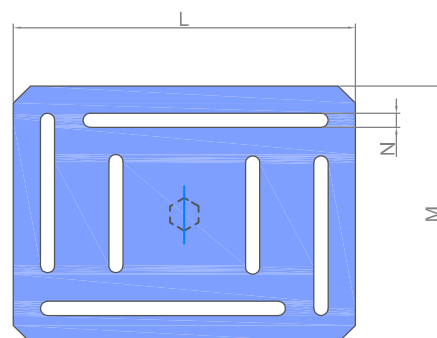
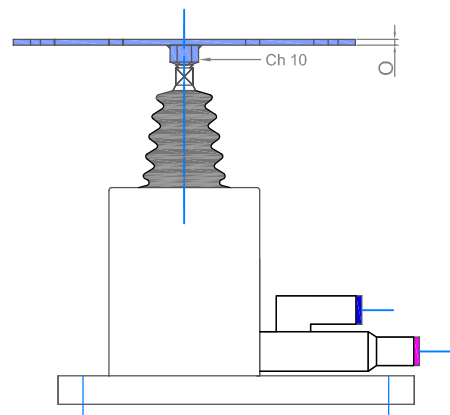


General Dimensions (mm)

A	B	C	D	E	F	G	H	I	T1	T2	An
M 6	7	50	115	123	125	107	70	88	Tu 6	Tu 4	50°

Working Pressure : from 4 to 9 bar Max

Working Temperature: -10° +60°C



Standard equipment Platform (mm)

L	M	N	O
120	90	5	2

Material : AISI 304

Recommended maximum weight of the object to be secured on the positioner's platform: 0,8 kg