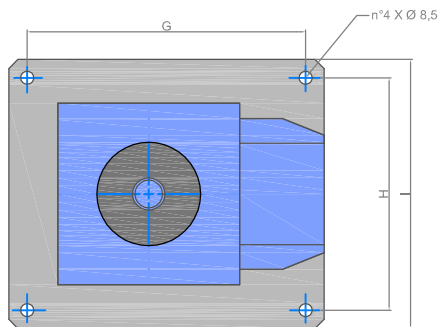
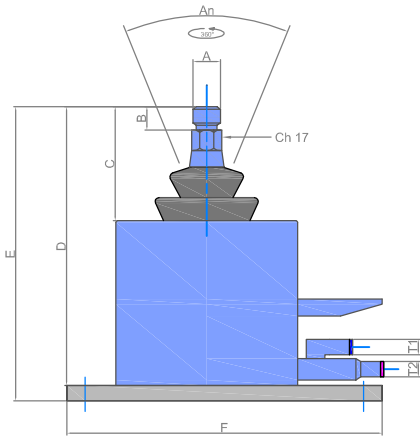


P10S

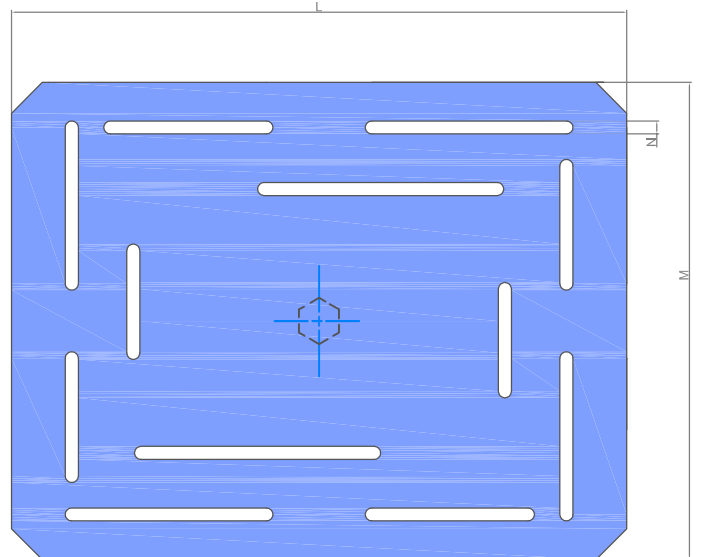
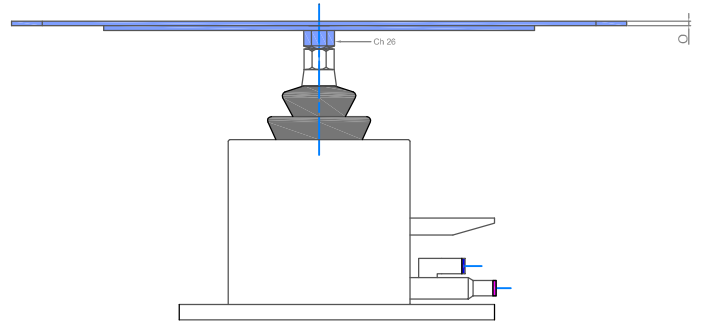


General dimensions(mm)

A	B	C	D	E	F	G	H	I	T1	T2	An
M18	16	74	190	200	205	181	151	175	Tu 6	Tu 4	70°

Working pressure : from 4 to 9 bar Max

Working temperature : -10° + 60°C



Standard equipment Platform (mm)

L	M	N	O
400	310	8,5	3

Material : AISI 304

Recommended maximum weight of the object to be secured on the positioner's platform: 15-20 kg