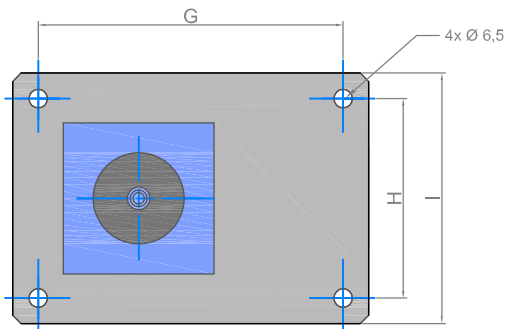
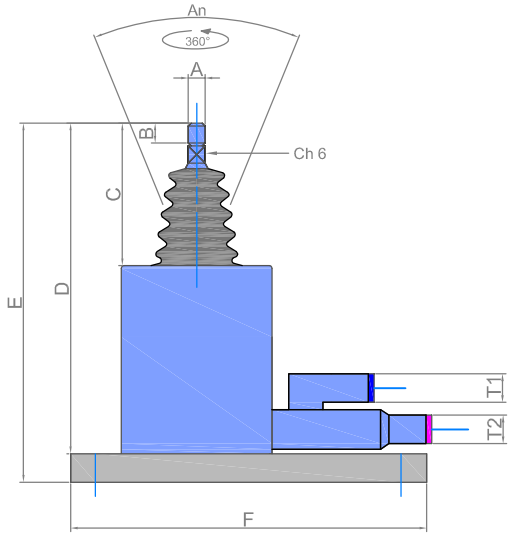


P3X

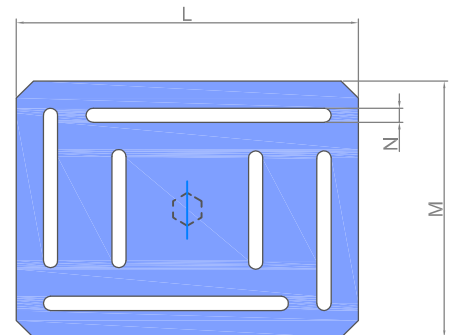
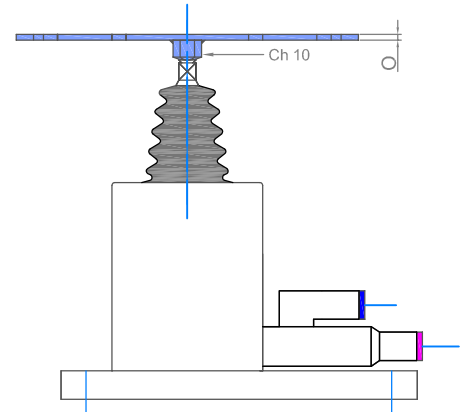


General Dimensions (mm)

| A | B | C | D | E | F | G | H | I | T1 | T2 | An |
|-----|---|----|-----|-----|-----|-----|----|----|------|------|-----|
| M 6 | 7 | 50 | 115 | 123 | 125 | 107 | 70 | 88 | Tu 6 | Tu 4 | 50° |

Working Pressure : from 4 to 9 bar Max

Working Temperature: -10° +60°C

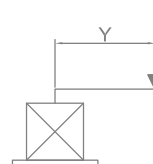


Standard equipment Platform (mm)

| L | M | N | O |
|-----|----|---|---|
| 120 | 90 | 5 | 2 |

Material : AISI 304

Maximun force allowed (Fr) on the Platform when locked



Fr Max(Kg)

| Y(mm) | 60 | | |
|---------|----|---|---|
| bar | 4 | 6 | 8 |
| Fr (Kg) | 2 | 3 | 4 |